



High-frequency transformer

EP10 Series

Parameters/Dimensions:

EP10 Type 1

Information:

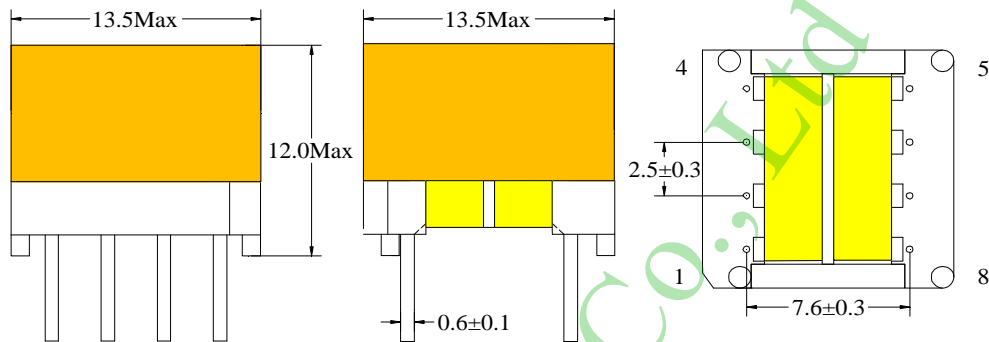
Shape:EP10

1 Power:8.4W

2 Mounting Orientation: Horizontal

3 Size: 13.5 (W) * 13.5(L) * 12 (H)

4 Effective Ae (mm²): 11.3



EP10 Type 2

Information:

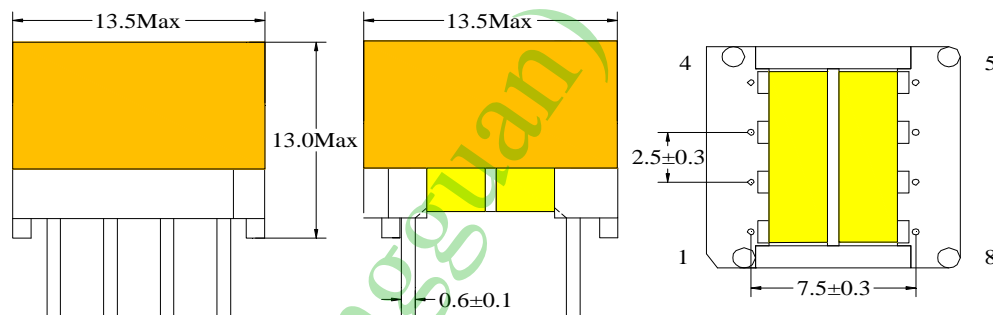
Shape:EP10

1 Power:8.4W

2 Mounting Orientation: Horizontal

3 Size: 13.5 (W) * 13.5(L) * 13 (H)

4 Effective Ae (mm²): 11.3



EP10 Type 3

Information:

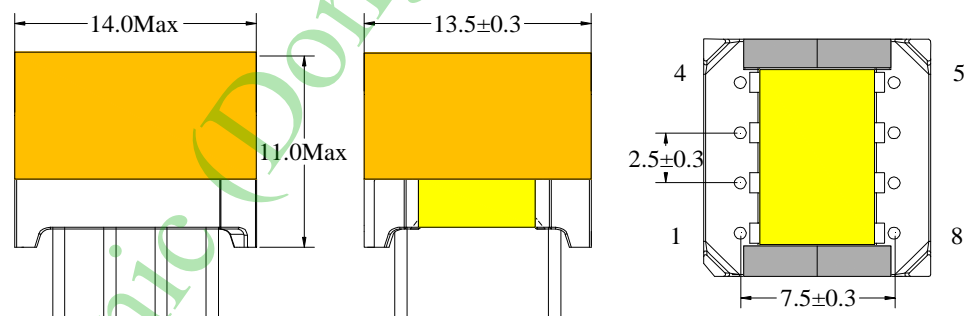
Shape:EP10

1 Power:8.4W

2 Mounting Orientation: Horizontal

3 Size: 14 (W) * 13.5(L) * 11 (H)

4 Effective Ae (mm²): 11.3



Note:

Bobbin type listed in the traditional style, transformer design parameters to customer needs or to inject prevail.

EP series high-frequency transformer features:

With magnetic shielding effect, distributed capacitance, transmission attenuation low, high inductance, leakage inductance is small, the magnetic field distribution, etc., and a skeleton with multi-way connector, easy to design multi-output transformer.

Uses:

Broadband transformers, inductors, isolation transformers, matching transformers are widely used in PBX terminal and sophisticated electronic devices.